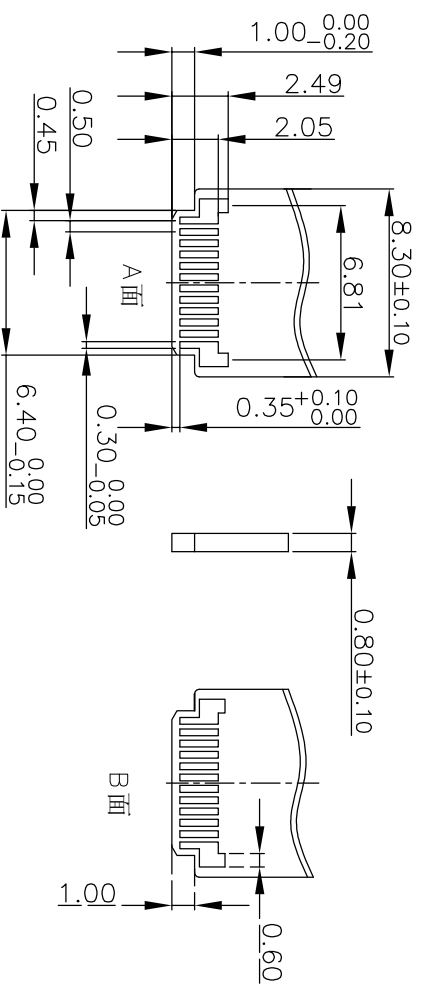
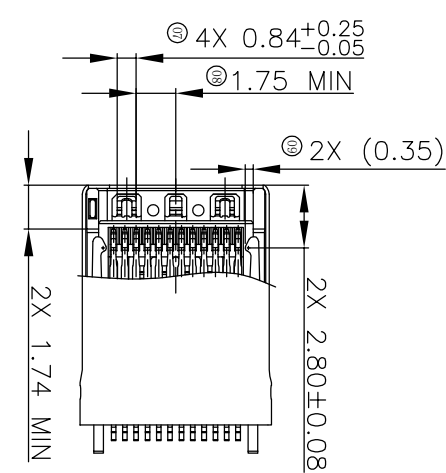
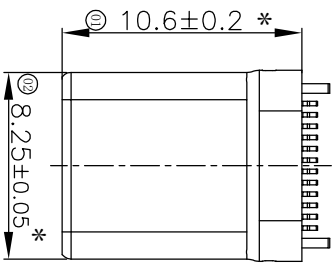
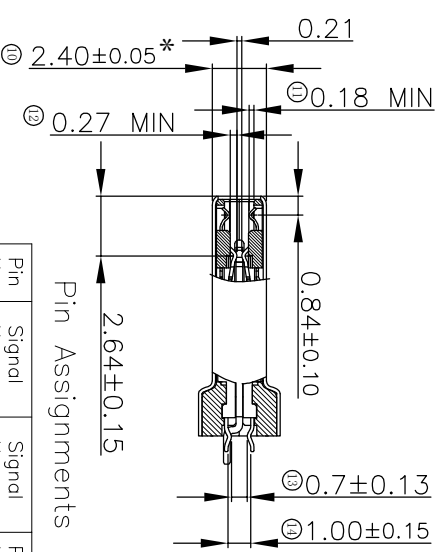
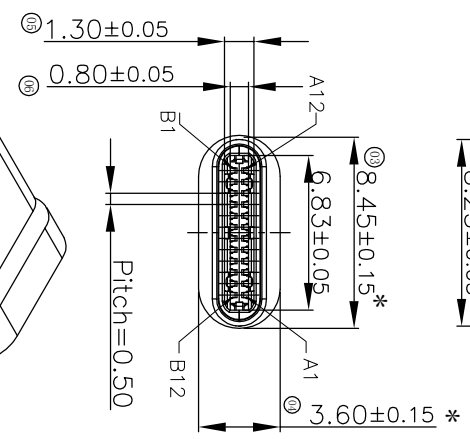


* All Raw Material, Manufacturing, Plating process comply with ROHS

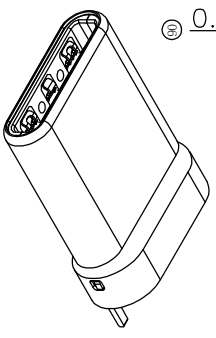


RECOMMENDED PCB LAYOUT
TOL.: ±0.05



Pin Assignments

Pin No	Signal Name	Signal Name	Pin No
A1	GND	GND	B12
A2	TX1+	RX1+	B11
A3	TX1-	RX1-	B10
A4	Vbus	Vbus	B9
A5	CC	SBUS2	B8
A6	D+		B7
A7	D-		B6
A8	SBU1	Vconn	B5
A9	Vbus	Vbus	B4
A10	RX2-	TX2-	B3
A11	RX2+	TX2+	B2
A12	GND	GND	B1



NO. ITEM	MATERIAL	DESCRIPTION
1	EMI 弹片	不锈钢 T=0.10
2	卡钩	不锈钢 T=0.30
3	外壳	不锈钢 T=0.15
4	端子	C5191 T=0.15 GOLD/TIN PLATED
5	胶芯	LCP UL 94V-0

REVISION NO.	RCR NO.	DESCRIPTION	MARK	DATE
A		new release		2017/12/20

NOTE:
1. ELECTRICAL CHARACTERISTICS:
1.1 CONTACT RESISTANCE: 40mΩ Max FOR INITIAL. 50mΩ CHANGE AFTER TEST. MEASURE AT 20mV, 100mA.
1.2 CONTACT CURRENT RATING: 5A FOR VBUS PIN; 1.25A FOR VCONN PIN.
1.3 DIELECTRIC WITHSTANDING VOLTAGE: 100V AC R.M.S.
1.4 INSULATION RESISTANCE 100MΩ Min
1.5 OPERATING TEMPERATURE: -40°C~85°C

2. MECHANICAL CHARACTERISTICS:
2.1 MATING FORCE: 5~20 N.
2.2 UNMATED FORCE: 8~20N AFTER TEST
2.3 DURABILITY: 10,000 CYCLES

SHINHWHA TECH CO., LTD

DIMENSIONS UNIT: mm		PRODUCT NAME: USB C PLUG 24P 10.65MM		DRAWING: COCO		DATE: 2017/12/10	
UNLESS OTHERWISE SPECIFIABLE		PRODUCT NO.: SH-1YCP-100073		CHECK: JANU		DATE: 2017/12/17	
DIMENSION TOLERANCE		DRAWING NO.:		APPROVED: JEFF		DATE: 2017/12/20	
X.X: ± 0.38	X.XX: ± 0.25	SCALE: 1:1		DWG. DR: JEFF		REV.: A	
X.XXX: ± 0.10	ANGULAR: ± 1°	C/D		PAGE: 1 of 1			